



Thank you for purchasing the WM-300 wall mounting station from MadgeTech, Inc. We strive to create quality products to serve the needs of our customers. Your feedback is valuable and important to us. Please call our customer service department should you have questions about any of our data logger products. We look forward to being of continued service to you and your company.

Sincerely,  
The MadgeTech Team



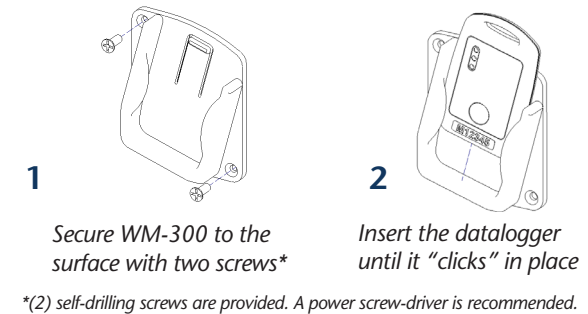
Thank you for purchasing the WM-300 wall mounting station from MadgeTech, Inc. We strive to create quality products to serve the needs of our customers. Your feedback is valuable and important to us. Please call our customer service department should you have questions about any of our data logger products. We look forward to being of continued service to you and your company.

Sincerely,  
The MadgeTech Team

### Mounting the WM-300 with Adhesive Tape:



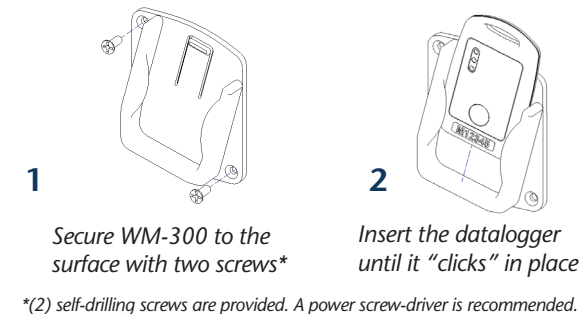
### Mounting the WM-300 with Screws:



### Mounting the WM-300 with Adhesive Tape:



### Mounting the WM-300 with Screws:





6 Warner Road, Warner, NH 03278  
Phone 603.456.2011 • Fax 603.456.2012  
www.madgetech.com • info@madgetech.com



**WM-300**  
*Wall Mounting Station*



**WM-300**  
*Wall Mounting Station*



6 Warner Road, Warner, NH 03278  
Phone 603.456.2011 • Fax 603.456.2012  
www.madgetech.com • info@madgetech.com