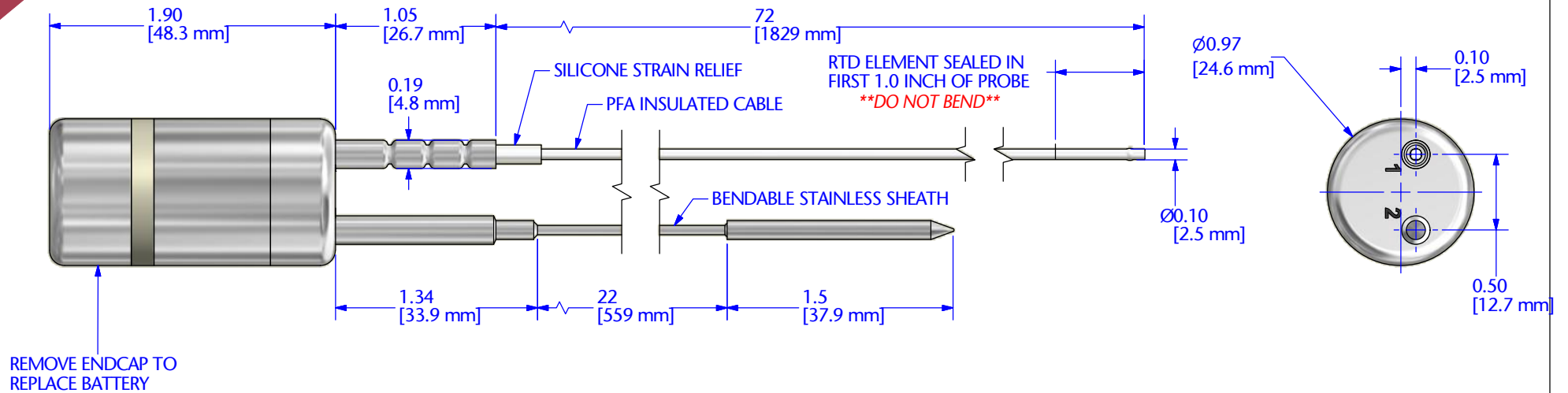


HiTemp140X2-FP-PT1

Dual Probe High Temperature Data Logger Dimension Drawing



Product:

HiTemp140X2-FP-PT1

Scale:

1:1

Materials:

316 Stainless Steel
PEEK
PFA

Notes: